



Model: AC800 Plus MC

Fingerprint System for Time Attendance & Door Access Control With MiFare Card



One finger solves all

FINGERTEC® AC800 Plus with MiFare Card is a fingerprint reader embedded with proximity card function, allowing fingerprint to be stored in cards or in the reader. The series functions to control door access and to record time and attendance activity of employees, suitable for every office, factories and in places with high traffic flow.

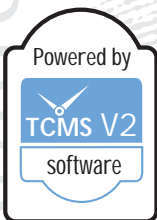
FINGERTEC® AC800 Plus MC delivers peace of mind through its personalized identification via fingerprint and card technology combined. No more worries about unauthorized entry and “buddy punching” occurrences in your company with the use of **FINGERTEC® AC800 Plus MC**, as the fingerprint is stored in the card and no exchange of cards would allow entry without the presence of the genuine fingerprint.

FINGERTEC® AC800 Plus MC is made user-friendly, reliable and flexible, ensuring your company the high-level protection that you required. Its innovative design complete with built in doorbell and voice greetings, complements the advanced door access system for your company.

FINGERTEC® AC800 Plus MC is the only card system that is impenetrable by impostors.

[FEATURES & BENEFITS]

- ▶ Manage one-to-many (1:N) identifications of 1500 templates (AC802 Plus MC)
- ▶ Allow a maximum of 10 fingerprints enrollment per user or storage of 1KB of fingerprint in a card
- ▶ Allow 360° rotation fingerprint placement
- ▶ Possess storage capacity of 30,000 (AC802 Plus) with work code feature
- ▶ Offer easy enrollment and fast clocking system
- ▶ Equipped with built-in doorbell, voice greeting and door access system to ease operation
- ▶ Enable transactions download via RS232, RS485, TCP/IP and USB Flash Disk
- ▶ Complete with easy-to-use Windows based management software and built-in standard time and attendance features
- ▶ Improved management of human resources
- ▶ Duress option, which allows user to trigger alarm in case of emergency using duress finger



Fingerprint System for Time Attendance & Door Access Control With MiFare Card

One finger solves it all



Model: AC800 Plus MC

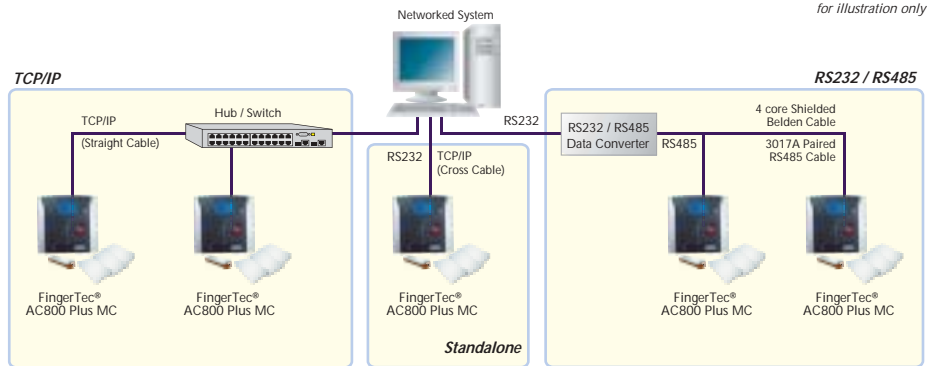


www.bioaccsys.net

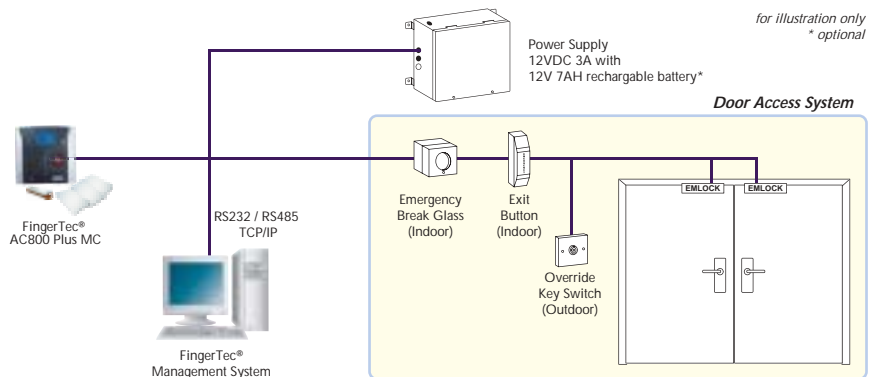
© 2007 FingerTec Worldwide Ltd. All rights reserved.

[LAYOUT PLAN]

Layout Plan (Standalone)



Installation Diagram



[SPECIFICATIONS]

Size (mm)	150 (L) x 145(H) x 38.5(W)
Identification Time (s)	≈ 1.2 sec for 1000 templates
Enrollment	Up to 10 fingerprints per user
Fingerprint Placement	Allow rotation of finger placement
FAR	< 0.0001%
FRR	< 1%
Transaction Storage	30,000 (AC802 Plus) with work code feature
User Capacity	1,500 templates (AC802 Plus)
Time Zone	50
Communications	RS232, RS485, TCP/IP, USB Flash Disk
Baud Rate (bps)	9600, 19200, 38400, 57600, 115200
Operating Temperature (°C)	0 - 45
Operating Humidity (%)	20 - 80
Power	DC 12V 3A
Language	English, Chinese
Verification Method	Fingerprint, ID + Fingerprint, ID + password, MiFare Card + Fingerprint
Alarm	Trigger alarm system if door is not closed, or when unit is illegally dismantled

Note: A reader can support a maximum of 4000 pcs of MiFare card if no fingerprint stored in the reader.

Authorized Reseller:

